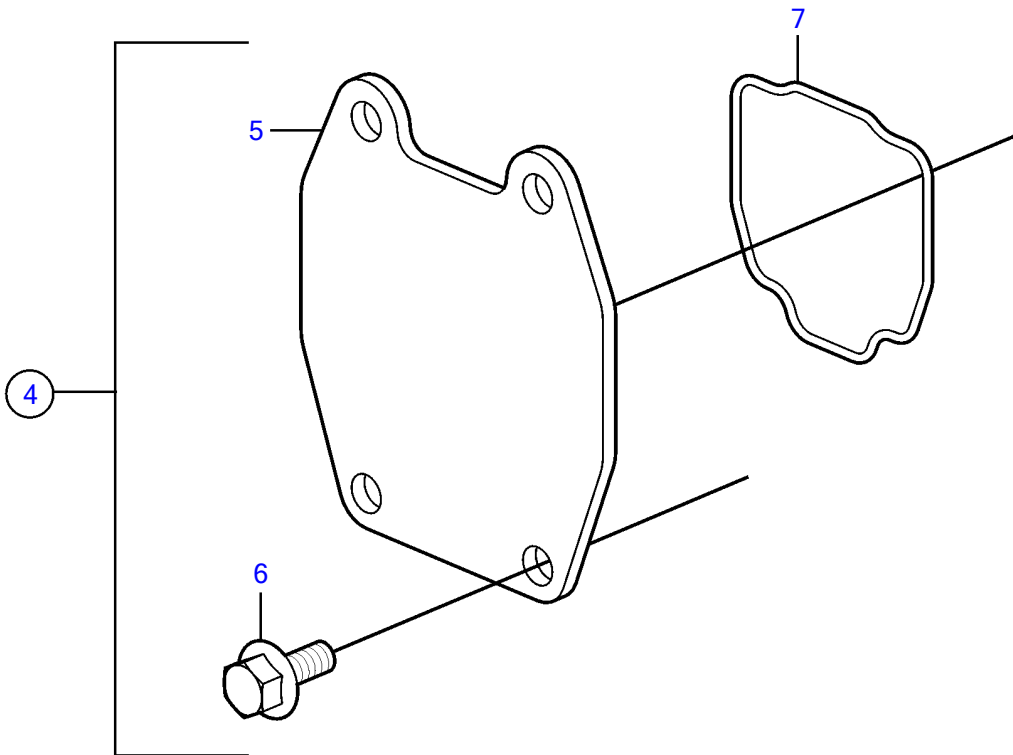
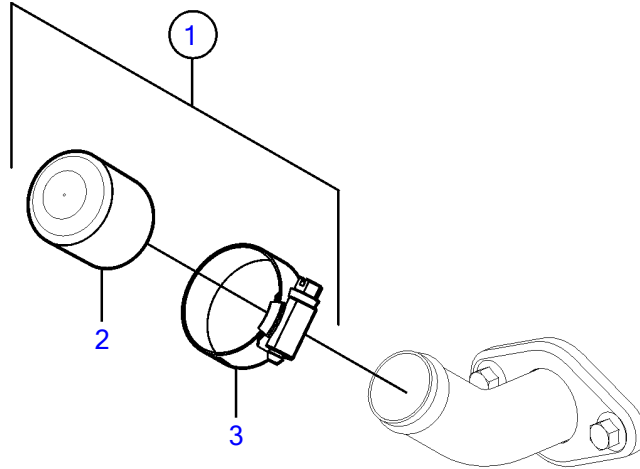


X-B, X-BLT, XHP-B, XHP-BLT, XXP-A, XXP-ALT, XXP-D3



X-B, X-BLT, XHP-B, XHP-BLT, XXP-A, XXP-ALT, XXP-D3

REF	PART NO.	QTY	DESCRIPTION	SEE SEC.	NOTES
1	3862566	1	Kit		
2	3852476	1	• Cardboard tube		
3	3852602	2	• Hose clamp		
4	3862582	1	Kit		
5		1	• Flange		
6	946441	4	• Flange screw		
7	3860984	1	Sealing		
			• Bulletin P-25-2-2	P-25-2-2-EN	Y-pipe seal, gas engines